

Service Instruction

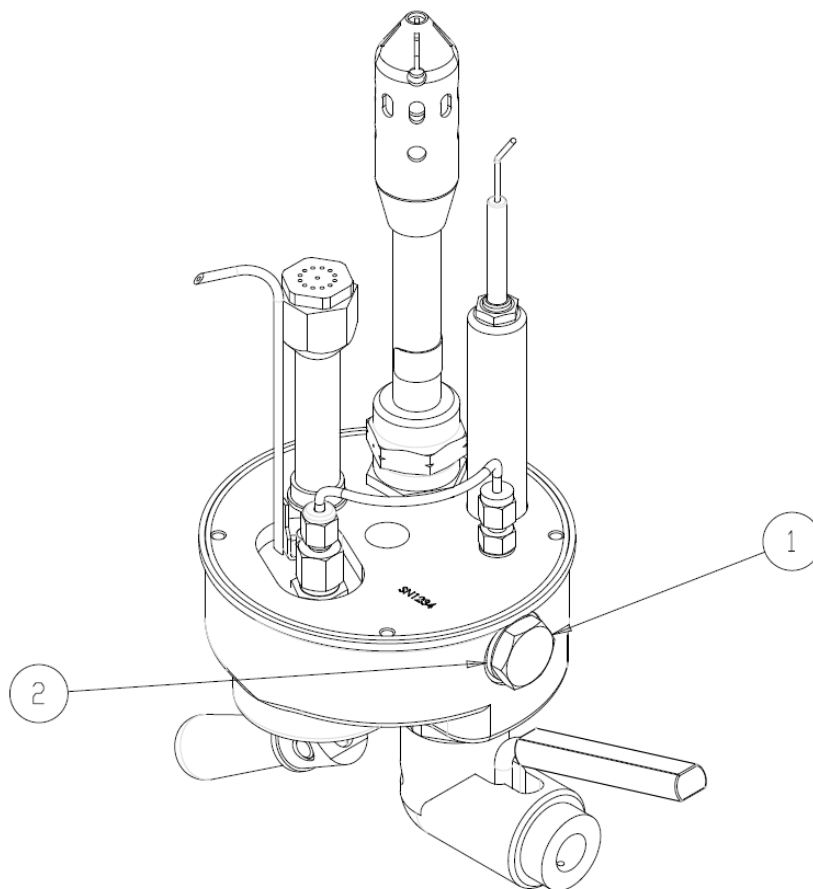


1. General

(a) No.:	19
(b) Revision / Date	A - June 2020
(c) Title:	Stratus Burner – Replacement of Crossflow Port Plug Seal.
(d) Description:	Instructions for replacing the Crossflow Port Plug Seal in a Stratus Burner manifold.
(e) Applicability:	EASA.BA.012, EASA.BA.013, EASA.BA.021.
(f) Effectivity:	All where a Stratus Burner manifold without crossflow is fitted (including Cloudhopper Millennium).

Note: Applicability= All types and variants to which the change can be applied.
Effectivity= Actual CN or group of CN's to which the bulletin has been/will be applied.

2. Accomplishment Instructions



1. Using a 22mm socket remove item 1: Crossflow Port Plug CB8532
2. Remove also item 2: Copper Washer or bonded seal and discard.
3. Clean any remaining sealant from the Crossflow Port and Plug.
4. Fit a new bonded seal: part number CH-3800-0003 over the Crossflow Port Plug CB8532.
Note: that the bonded seal replaces the Copper Washer used in older burners.
5. Apply Loctite 572 sealant to the threads of the Crossflow Port Plug.
6. Insert the Crossflow Port Plug and Bonded Seal into the Crossflow Port and tighten to 30-35Nm using a 22m socket.
7. Perform a leak check and functional check on the burner immediately afterwards.
8. Make an appropriate entry in the aircraft log book.

3. Materials

- Bonded Seal 3/8 BSP Part number CH-3800-0003. One required
- Crossflow Port Plug part number CB-8532-0000 may be replaced if necessary.
- Loctite 572 Sealant.

4. Other Publications Affected

None

5. Remarks

None

Compiled by:



Notes:

Date: 04-06-20

Name: D J Cameron

6. Design Organisation Approval

Approval Statement

I hereby confirm that these instructions are in compliance with all the applicable airworthiness requirements. The technical content of this document is approved under the authority of DOA nr EASA.21J.140

Signed, for and on behalf of Cameron Balloons Ltd.

pp 

Head of Design



Date: 04-06-20

Name: