

# Service Instruction



## 1. General

(a) No.:	SI 37
(b) Issue / Date	Issue A / 24-01-2024
(c) Title:	Repair of Lindstrand Hot Air Balloons Limited Fuel manifolds
(d) Description:	Supply of the male “Rego” outlet fitting with a 3/78” BSP female thread was discontinued by Service Letter 19. This Service Instruction details alternative parts for repair of ‘Lindstrand’ fuel manifolds.
(e) Applicability:	UK.TC.BA.00001, UK.TC.BA.00002, UK.TC.BA.00003.
(f) Effectivity:	All using ‘Lindstrand’ fuel manifolds

**Note:** Applicability= All types and variants to which the change can be applied.  
Effectivity= Actual CN or group of CN’s to which the bulletin has been/will be applied.

## 2. Accomplishment Instructions

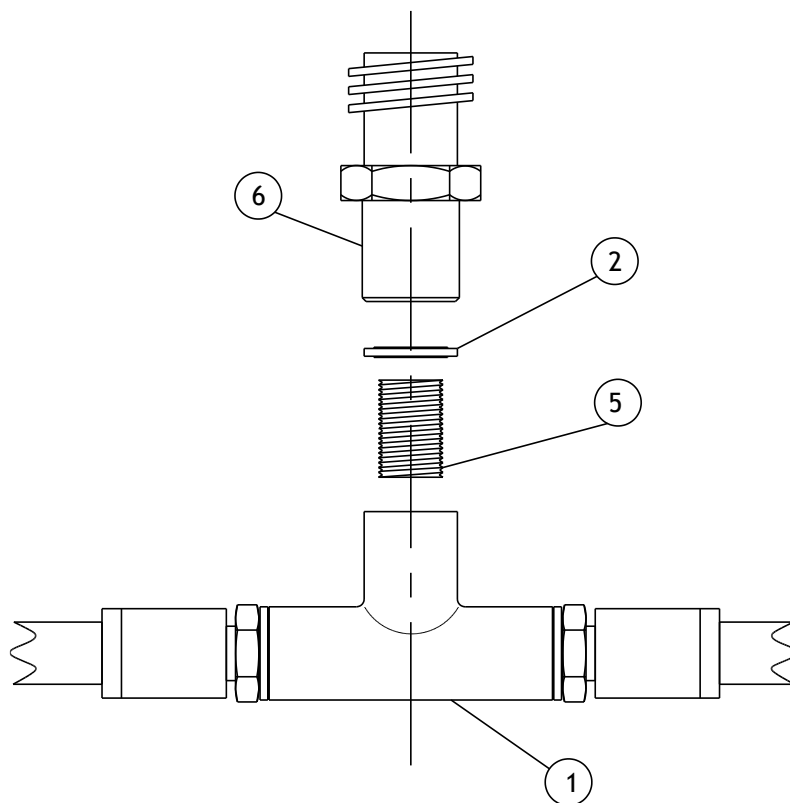


Fig 1: Old Lindstrand Assembly

Item No	Part No	Description
1	-	EXISTING MANIFOLD
2	CH-3800-0003	3/8 BSP BONDED SEAL
5	-	12 3/8 BSP THREADED INSERT
6	WITHDRAWN	REGO 7141M WITH 3/8 BSP FEMALE THREAD

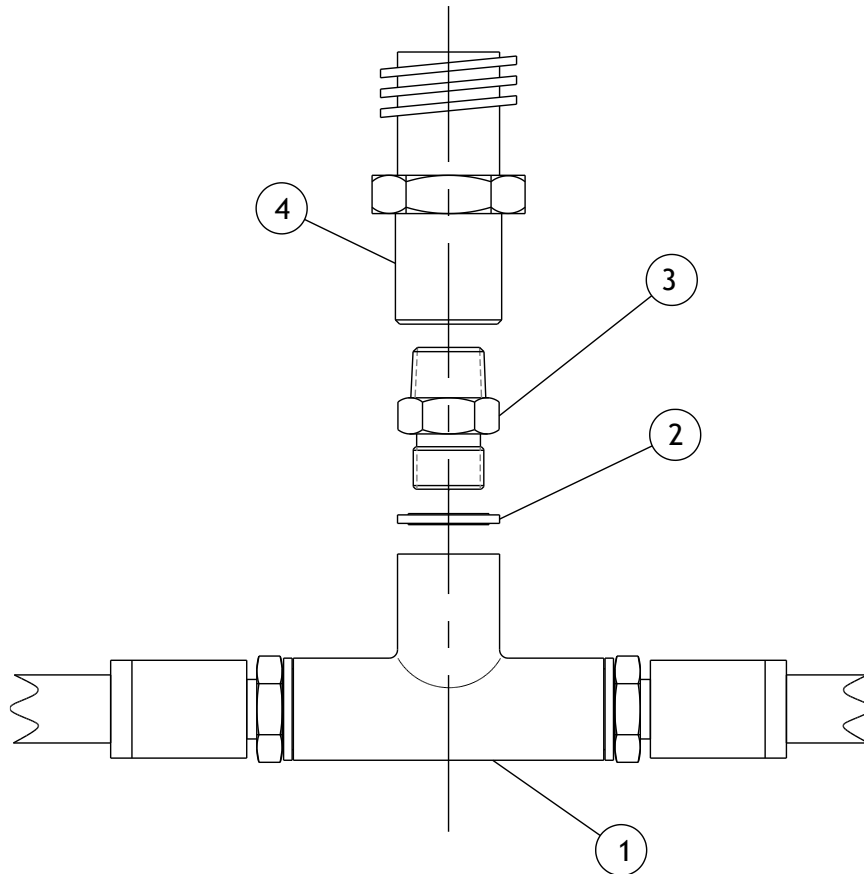


Fig 2: New Assembly

Item No	Part No	Description
1	-	EXISTING MANIFOLD
2	CH-3800-0003	3/8 BSP BONDED SEAL
3	CQ-2122-0000	3/8 BSPP MALE TO 3/8 NPT MALE ADAPTOR
4	CH-7141-0002	REGO 7141M WITH 3/8 BSP FEMALE THREAD



Remove and discard parts 2, 5 and 6 from the manifold assembly. Using a new bonded seal (item 2) re-assemble using parts 3 and 4 and the methods described in the Cameron Balloons Maintenance Manual.

**3. Materials**

As Above plus PTFE tape. Loctite 572 thread sealing compound or Loctite 270 may be optionally applied to the BSP thread.

**4. Other Publications Affected** None

**5. Remarks** None

Compiled by:  .....		Notes:  None
Date: 29/01/2024	Name: D Boxall	
<b>6. Design Organisation Approval</b>		
<b>Approval Statement</b> The technical content of this document is approved under the authority of DOA nr UK.21J.0140  .....		
Date: 29/01/2024	Name: D J Cameron	