

Approved by EASA under Approval Number 10038169

8.20 BASKET TOWING PLATES

8.20.1 GENERAL INFORMATION

This supplement shall be inserted in the Flight Manual, in Section 8: 'Supplements' with the revisions record sheet amended accordingly.

Information contained herein supplements, or in the case of conflict, supersedes that contained in the basic Flight Manual. For Limitations, Procedures, and Performance Data not contained in this supplement, consult the basic Hot Air Balloon Flight Manual.

Issue 2 of this supplement has two pages.

Supplement 7.20 (two pages) to Maintenance Manual Issue 10 is required to ensure continued airworthiness.

8.20.2 LIMITATIONS

No change.

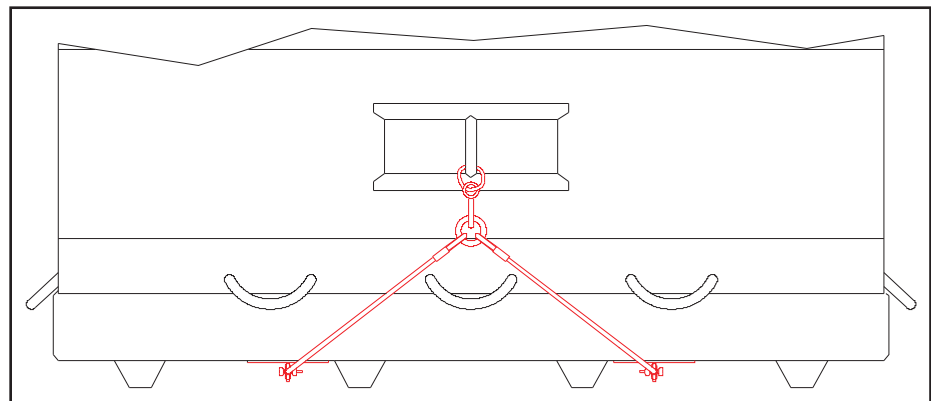
8.20.3 EMERGENCY PROCEDURES

No change.

8.20.4 NORMAL PROCEDURES

8.20.4.2.2 Basket Rigging

Ensure that the towing strop or rope is firmly attached to the towing plates and is tightly attached to the securing clip.



▲ Towing Strop Correctly Secured

8.20.4.3 INFLATION**Pre-Inflation Checks**

Basket: Towing strop correctly secured to basket

8.20.5 WEIGHT CALCULATIONS

No change.

8.20.6 BALLOON AND SYSTEMS DESCRIPTION

No change.

8.20.7 BALLOON MAINTENANCE, HANDLING AND CARE**8.20.7.4.4 Baskets**

If the basket is to be towed or winched, the towing plates should be used.

Before use, check that all the shackles and karabiners are correctly attached.

Caution: Avoid shock-loading the basket.

8.20.9 EQUIPMENT LIST

No change.